

Supplied By: Tpw Systems Ltd, Wexford

Sales /Service 087 2600438

053/9137650 Email npquaid@gmail.com

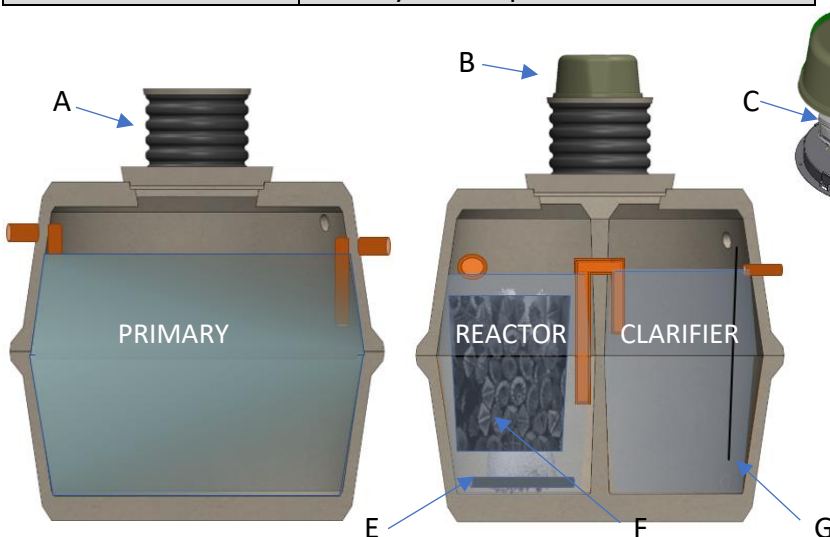
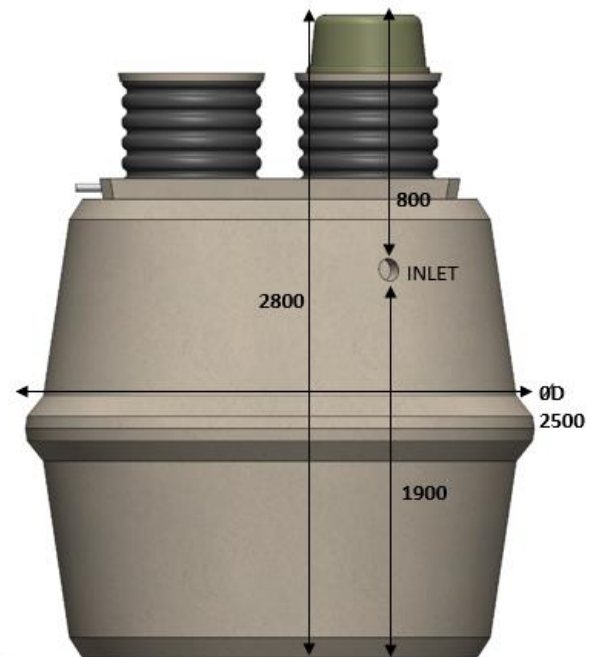
web: www.TPW.ie

Description:

TPW Eurotank BAF2 is a very strong **Concrete**, Economical, Efficient, Wastewater/Sewage Treatment System for use in domestic housing and commercial applications.

The system is **En12566/3 & NSAI SR66 Certified** as listed on Pia GmbH for Irish Use. Eurotank BAF uses Moving Bed Technology in a 3 stage Biological Aeration Filtration process as a very simple method of treatment with great effluent quality. The range comprises various tank sizes, comes fully built and delivered with a lot of installation advantages. Full after-sales service nationwide service.

Population Equivalent PE	6 TO 50 Tank configurations for 6, 12, 25, 50 and up to 300
Certification	By Pia GmbH To En12566/3 SR66 as listed for Irish use. (ATTACHED)
Effluent Quality	BOD ₅ - 11 mg/l <20mg/l required SS - 12mg/l <30mg/l required NH ₄ -N – 6.2 mg/l <20mg/l required Exceeding Irish Requirement
Electrical Consumption -Cable -Protection	1kWh/D 2.5mm ² x 3 core SWA (up to 100m run) RCD 16 amp, 230v, 30ma, Bs 4293 standard
Alarm	Audible For Pump Failure
Outlet	Gravity or Pumped



- A: Pvc Risers, sealed no leaks, Ground Adjustable
- B: Enclosure, Aesthetic control unit housing
- C: ECO Blower unit
- D: Control unit with built in Mcb's & alarm
- E: Sludge return, solids removal & activated sludge
- F: Media Bed
- G: Aeration Diffusers

Internal Treatment Process & Chamber Layout

The Process has 3 Functions Housed in 3 Chambers

Chamber 1 – Primary settlement chamber, receives raw Sewage and Wastewater & settle solids.

Chamber 2 – Reactor, Biological treatment with use of aeration and high spec Fluidised Media

Chamber 3 – Clarifier, any remaining solids are allowed settle and are returned to primary chamber to aid activated sludge process

Final Effluent leaves chamber 3 Via gravity or float switched pump.